

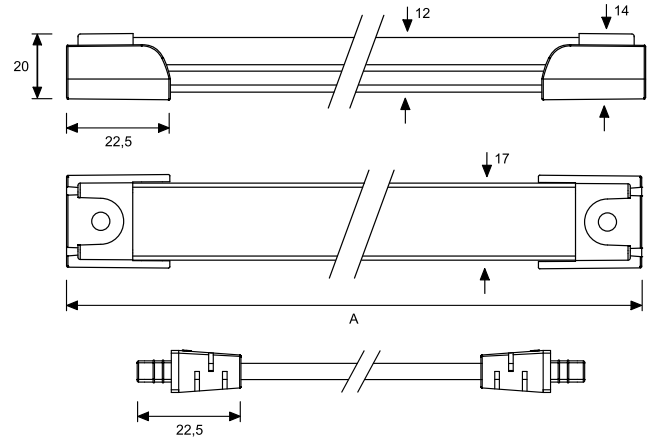
INSTALLATION GUIDE

2C1M 24V BAR

Exclusive document for product installation and assembly



3. DIMENSIONS (mm)



SIZE	A
10	115
17	190
25	265
30	340
40	415
47	490
55	565
60	640
70	715
80	790
85	865
90	940
100	1015
105	1090
115	1165
120	1240
130	1315

SIZE	A
140	1390
145	1465
150	1540
160	1615
170	1690
175	1765
180	1840
190	1915
195	1990
200	2065
210	2140
220	2215
225	2290
230	2365
240	2440
247	2515

1. SAFETY PRECAUTIONS



CAUTION

The equipment must be installed by a certificated technician.

The electrical installation must respect the technical rules.

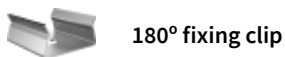
Install only indoors.

Switch off the electrical power before making any connection.

Respect the indicated voltage and installation procedure.

End-of-life: Don't discard as unsorted waste. Send to a WEEE (Waste, Disused Electrical and Electronic Equipment) collection point.

2. ACCESSORIES



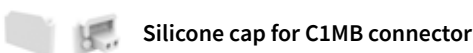
180° fixing clip



C1F cable



C1F interconnection cable *
* for installations with more than one bar

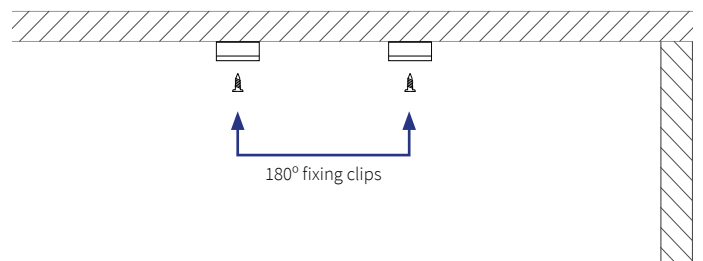


Silicone cap for C1MB connector

4. INSTALLATION PROCEDURE

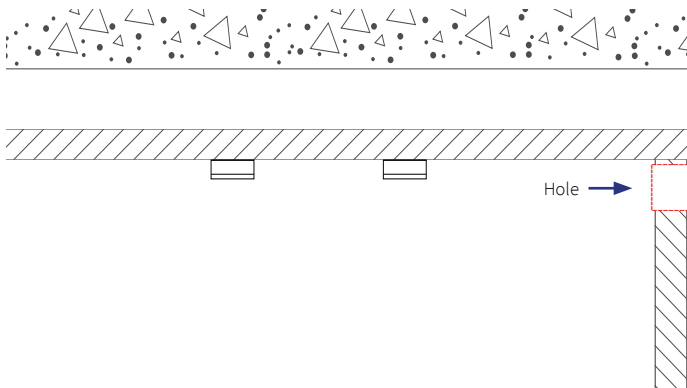
4.1 INSTALL FIXING CLIPS

Fix the 180° fixing clips to the ceiling or chosen surface.
Maximum distance between fixing clips: 60 cm.



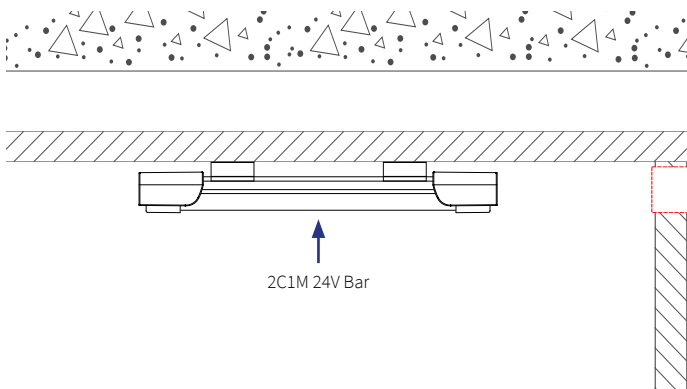
4.2 HOLE FOR POWER CABLE

Make a hole for the power cable to pass through.



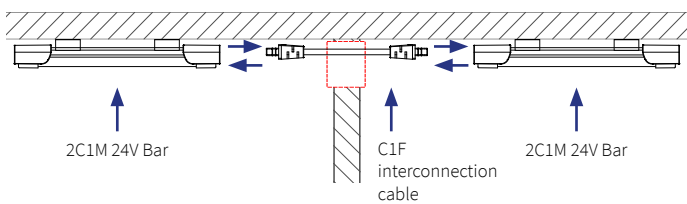
4.3 FIX THE BAR TO THE CLIPS

Attach the bar to the fixing clips.



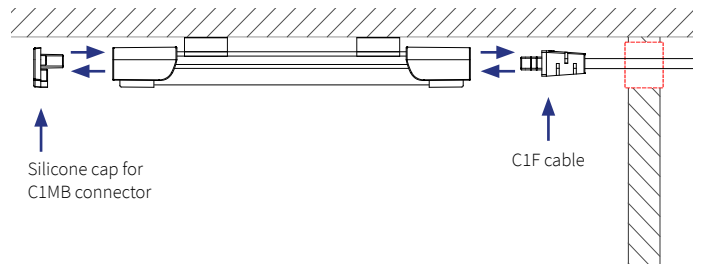
4.4 BAR INTERCONNECTION (OPTIONAL)

In installations with two or more bars, it is possible to interconnect them through the interconnection cable. Maximum length: 6 m of linear bars.



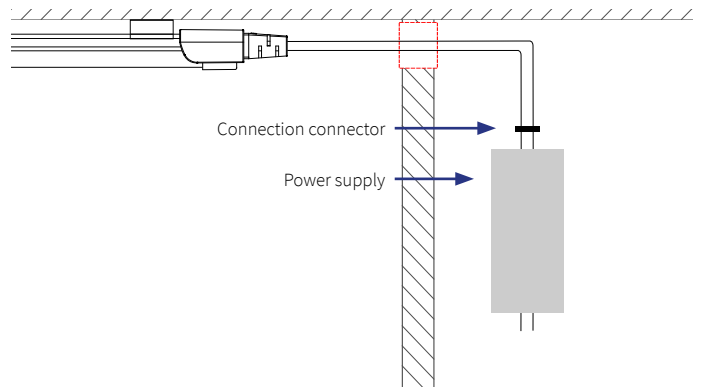
4.5 CONNECT THE POWER CABLE AND INSTALL THE SILICONE CAP

Placing the silicone cap on the C1MB connector at the end of the bar. Maximum distance from power supply to the bar: 2.5 m.



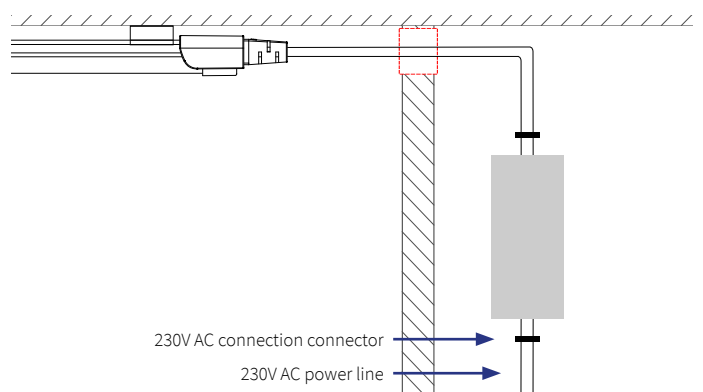
4.6 CONNECT THE CABLE TO THE POWER SUPPLY

The connection connector must meet the appropriate electrical requirements for the intended purpose.



4.7 CONNECT POWER SUPPLY TO ELECTRICAL NETWORK

The connection connector must meet the appropriate electrical requirements for the intended purpose.



Power Supply

Use a constant voltage power supply for LED modules, 24V DC output, insulation class 2, SELV, certified according to EN61347 standards for Europe and UL8750 for USA.

INSTALLATION GUIDE

C1MB 24V BAR

Exclusive document for product installation and assembly



1. SAFETY PRECAUTIONS



CAUTION

The equipment must be installed by a certificated technician.

The electrical installation must respect the technical rules.

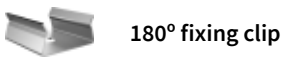
Install only indoors.

Switch off the electrical power before making any connection.

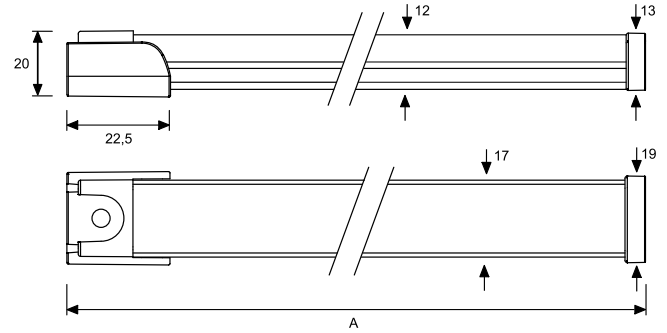
Respect the indicated voltage and installation procedure.

End-of-life: Don't discard as unsorted waste. Send to a WEEE (Waste, Disused Electrical and Electronic Equipment) collection point.

2. ACCESSORIES



3. DIMENSIONS (mm)



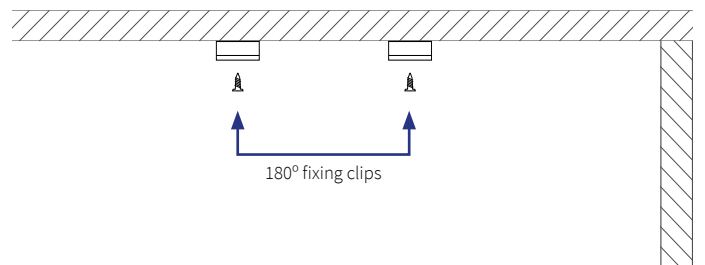
SIZE	A
10	102
17	177
25	252
30	327
40	402
47	477
55	552
60	627
70	702
80	777
85	852
90	927
100	1002
105	1077
115	1152
120	1227
130	1302

SIZE	A
140	1377
145	1452
150	1527
160	1602
170	1677
175	1752
180	1827
190	1902
195	1977
200	2052
210	2127
220	2202
225	2277
230	2352
240	2427
247	2502

4. INSTALLATION PROCEDURE

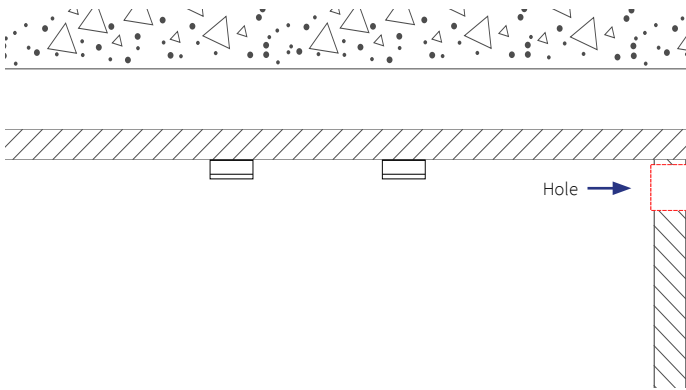
4.1 INSTALL FIXING CLIPS

Fix the 180° fixing clips to the ceiling or chosen surface.
Maximum distance between fixing clips: 60 cm.



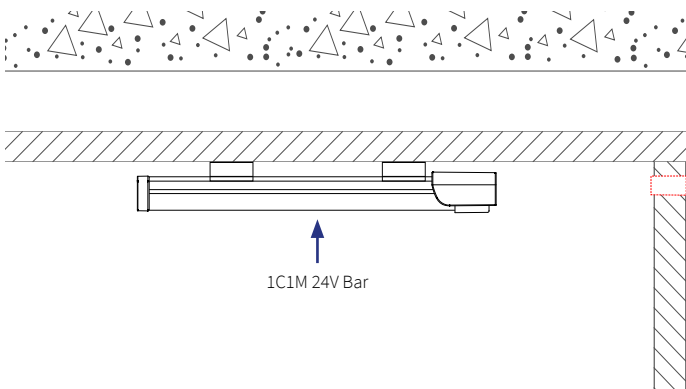
4.2 HOLE FOR POWER CABLE

Make a hole for the power cable to pass through.



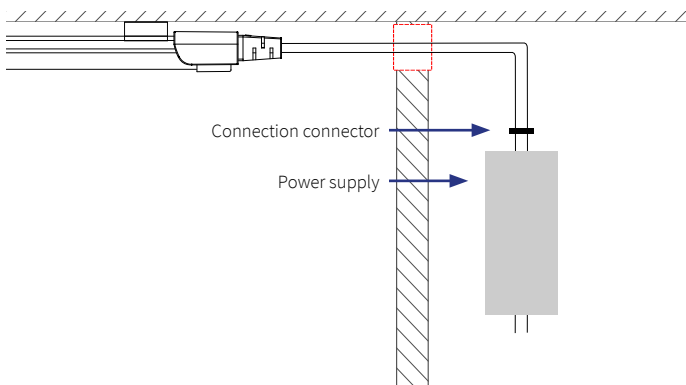
4.3 FIX THE BAR TO THE CLIPS

Attach the bar to the fixing clips.



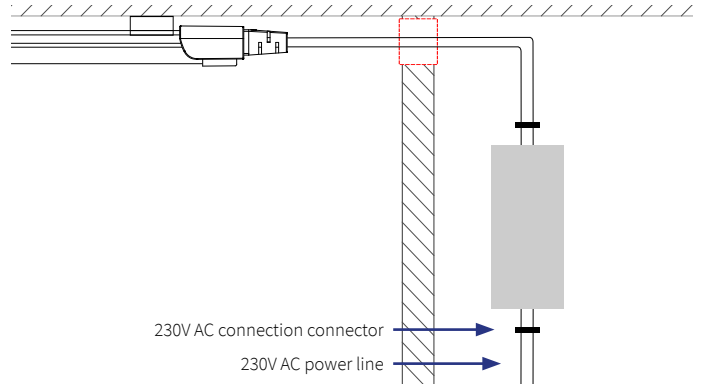
4.4 CONNECT THE CABLE TO THE POWER SUPPLY

The connection connector must meet the appropriate electrical requirements for the intended purpose.



4.5 CONNECT POWER SUPPLY TO ELECTRICAL NETWORK

The connection connector must meet the appropriate electrical requirements for the intended purpose.



Power Supply

Use a constant voltage power supply for LED modules, 24V DC output, insulation class 2, SELV, certified according to EN61347 standards for Europe and UL8750 for USA.

INSTALLATION GUIDE

TOP ENTRY CABLE 24V BAR

Exclusive document for product installation and assembly



1. SAFETY PRECAUTIONS



CAUTION

The equipment must be installed by a certificated technician.

The electrical installation must respect the technical rules.

Install only indoors.

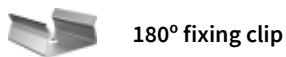
Switch off the electrical power before making any connection.

Respect the indicated voltage and installation procedure.

The installer must use a connector that respects the IP64 index.

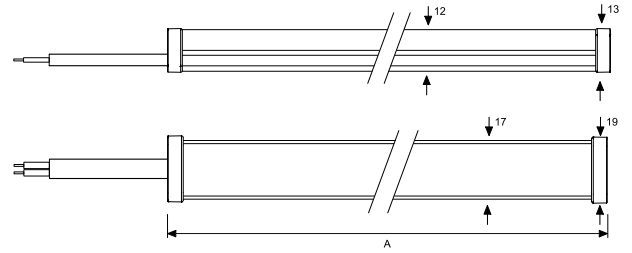
End-of-life: Don't discard as unsorted waste. Send to a WEEE (Waste, Disused Electrical and Electronic Equipment) collection point.

2. ACCESSORIES



180° fixing clip

3. DIMENSIONS (mm)



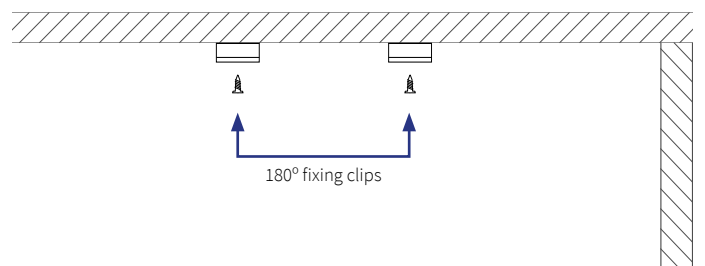
SIZE	A
10	79
17	154
25	229
30	304
40	379
47	454
55	529
60	604
70	679
80	754
85	829
90	904
100	979
105	1054
115	1129
120	1204
130	1279

SIZE	A
140	1354
145	1429
150	1504
160	1579
170	1654
175	1729
180	1804
190	1879
195	1954
200	2029
210	2104
220	2179
225	2254
230	2329
240	2404
247	2479

4. INSTALLATION PROCEDURE

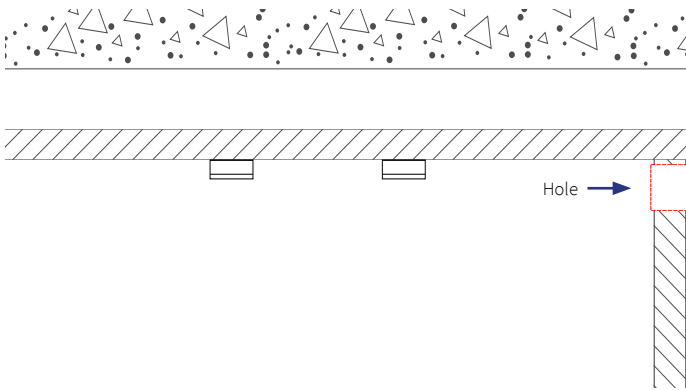
4.1 INSTALL FIXING CLIPS

Fix the 180° fixing clips to the ceiling or chosen surface.
Maximum distance between fixing clips: 60 cm.



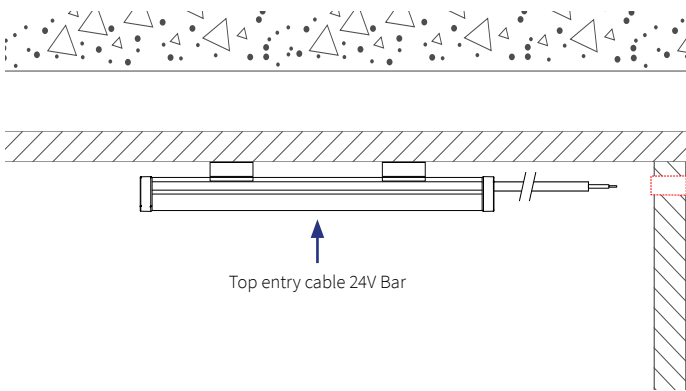
4.2 HOLE FOR POWER CABLE

Make a hole for the power cable to pass through.



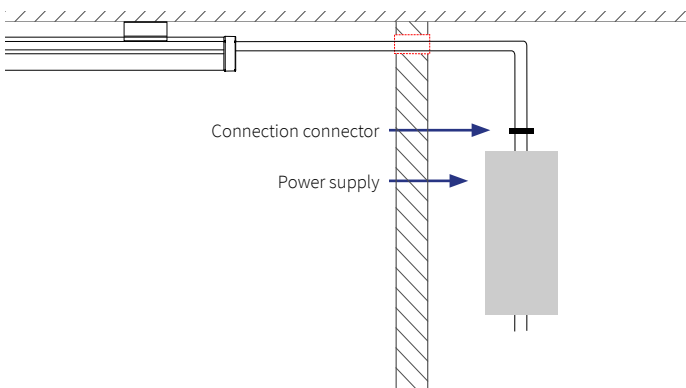
4.3 FIX THE BAR TO THE CLIPS

Attach the bar to the fixing clips.



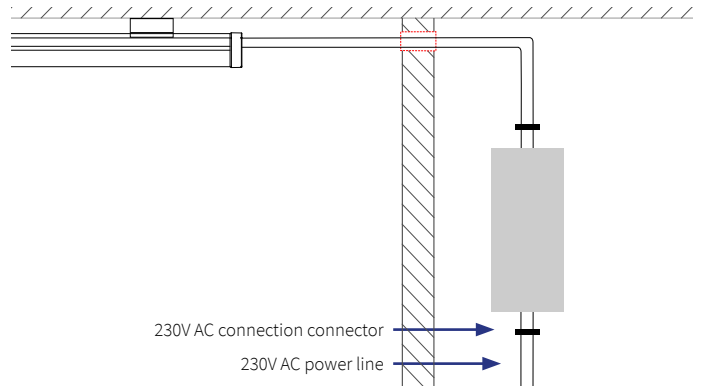
4.4 CONNECT THE CABLE TO THE POWER SUPPLY

The connection connector must meet the appropriate electrical requirements for the intended purpose.



4.5 CONNECT POWER SUPPLY TO ELECTRICAL NETWORK

The connection connector must meet the appropriate electrical requirements for the intended purpose.



Power Supply

Use a constant voltage power supply for LED modules, 24V DC output, insulation class 2, SELV, certified according to EN61347 standards for Europe and UL8750 for USA.

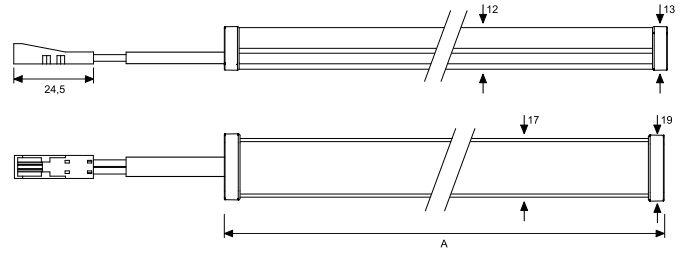
INSTALLATION GUIDE

TOP ENTRY CABLE WITH ASQC2 CONNECTOR 24V BAR

Exclusive document for product installation and assembly



3. DIMENSIONS (mm)



SIZE	A
10	79
17	154
25	229
30	304
40	379
47	454
55	529
60	604
70	679
80	754
85	829
90	904
100	979
105	1054
115	1129
120	1204
130	1279

SIZE	A
140	1354
145	1429
150	1504
160	1579
170	1654
175	1729
180	1804
190	1879
195	1954
200	2029
210	2104
220	2179
225	2254
230	2329
240	2404
247	2479

1. SAFETY PRECAUTIONS



CAUTION

The equipment must be installed by a certificated technician.

The electrical installation must respect the technical rules.

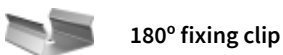
Install only indoors.

Switch off the electrical power before making any connection.

Respect the indicated voltage and installation procedure.

End-of-life: Don't discard as unsorted waste. Send to a WEEE (Waste, Disused Electrical and Electronic Equipment) collection point.

2. ACCESSORIES



180° fixing clip

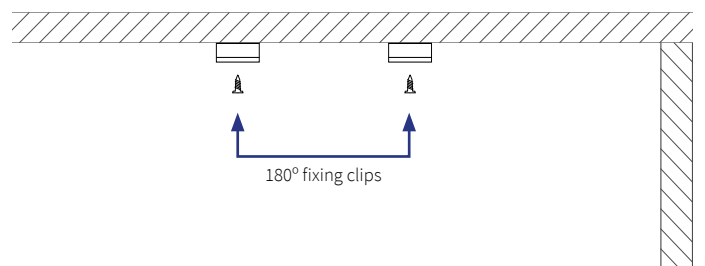


ASQC2 cable

4. INSTALLATION PROCEDURE

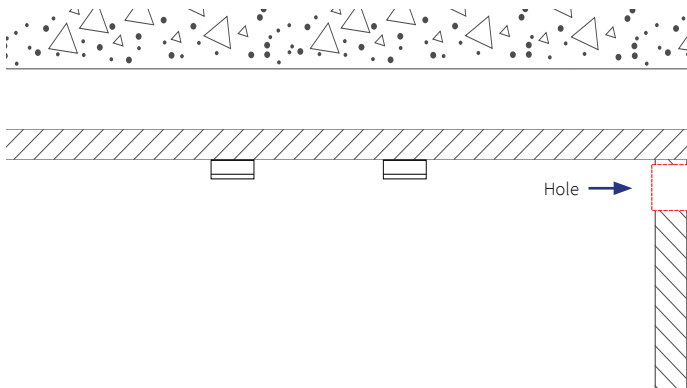
4.1 INSTALL FIXING CLIPS

Fix the 180° fixing clips to the ceiling or chosen surface.
Maximum distance between fixing clips: 60 cm.



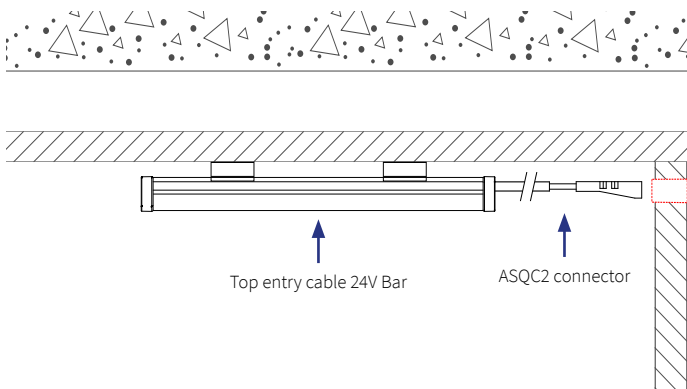
4.2 HOLE FOR POWER CABLE

Make a hole for the power cable to pass through.



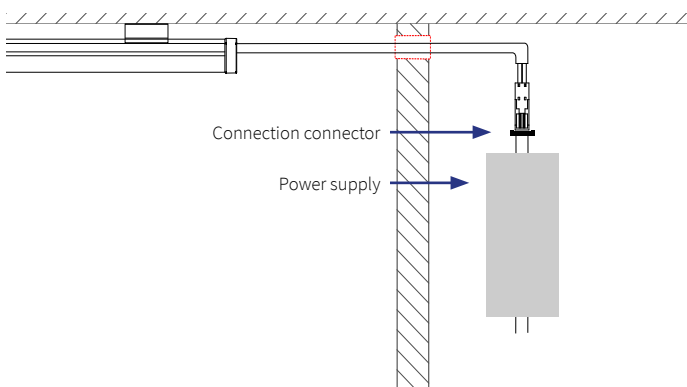
4.3 FIX THE BAR TO THE CLIPS

Attach the bar to the fixing clips.



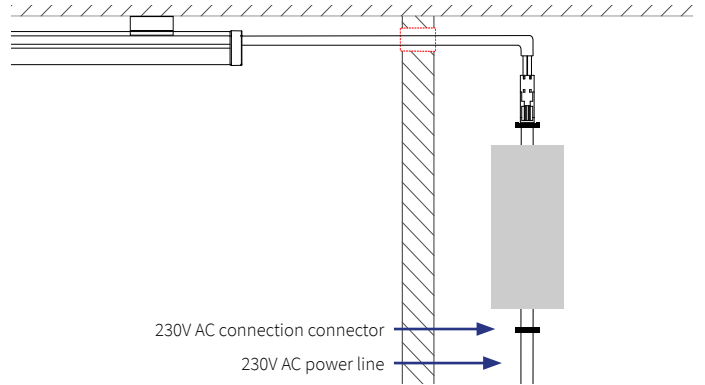
4.4 CONNECT THE CABLE TO THE POWER SUPPLY

The connection connector must meet the appropriate electrical requirements for the intended purpose.



4.5 CONNECT POWER SUPPLY TO ELECTRICAL NETWORK

The connection connector must meet the appropriate electrical requirements for the intended purpose.



Power Supply

Use a constant voltage power supply for LED modules, 24V DC output, insulation class 2, SELV, certified according to EN61347 standards for Europe and UL8750 for USA.

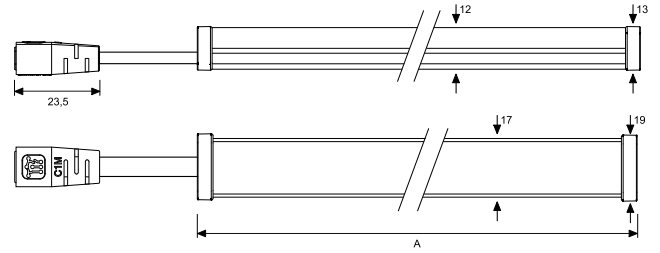
INSTALLATION GUIDE

TOP ENTRY CABLE WITH C1M CONNECTOR 24V BAR

Exclusive document for product installation and assembly



3. DIMENSIONS (mm)



SIZE	A	SIZE	A
10	79	140	1354
17	154	145	1429
25	229	150	1504
30	304	160	1579
40	379	170	1654
47	454	175	1729
55	529	180	1804
60	604	190	1879
70	679	195	1954
80	754	200	2029
85	829	210	2104
90	904	220	2179
100	979	225	2254
105	1054	230	2329
115	1129	240	2404
120	1204	247	2479
130	1279		

1. SAFETY PRECAUTIONS



CAUTION

The equipment must be installed by a certificated technician.

The electrical installation must respect the technical rules.

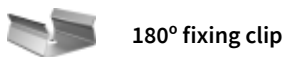
Install only indoors.

Switch off the electrical power before making any connection.

Respect the indicated voltage and installation procedure.

End-of-life: Don't discard as unsorted waste. Send to a WEEE (Waste, Disused Electrical and Electronic Equipment) collection point.

2. ACCESSORIES



180° fixing clip

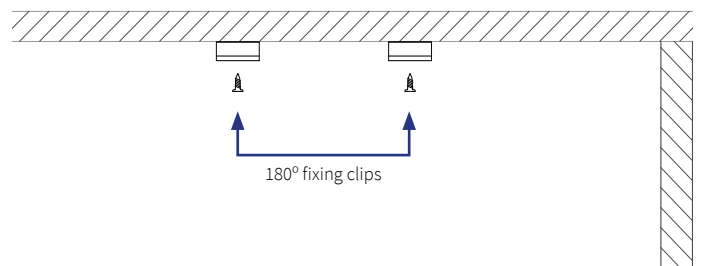


C1F cable

4. INSTALLATION PROCEDURE

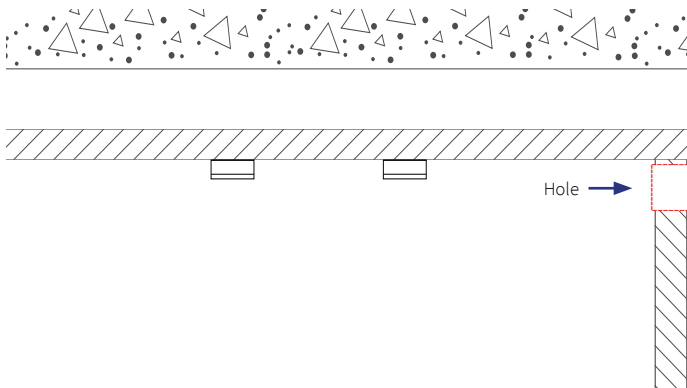
4.1 INSTALL FIXING CLIPS

Fix the 180° fixing clips to the ceiling or chosen surface.
Maximum distance between fixing clips: 60 cm.



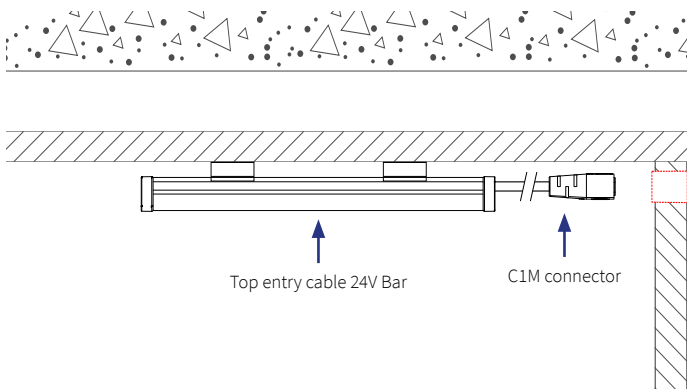
4.2 HOLE FOR POWER CABLE

Make a hole for the power cable to pass through.



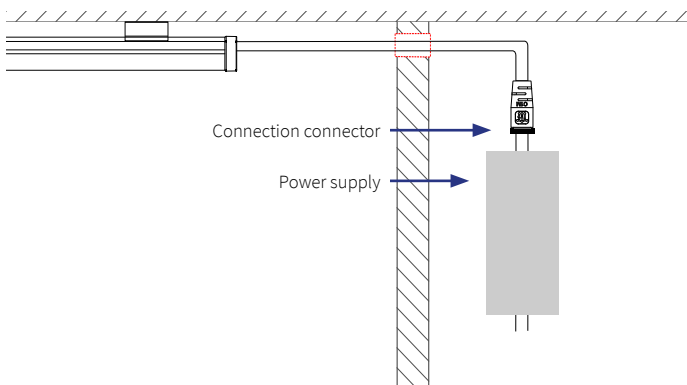
4.3 FIX THE BAR TO THE CLIPS

Attach the bar to the fixing clips.



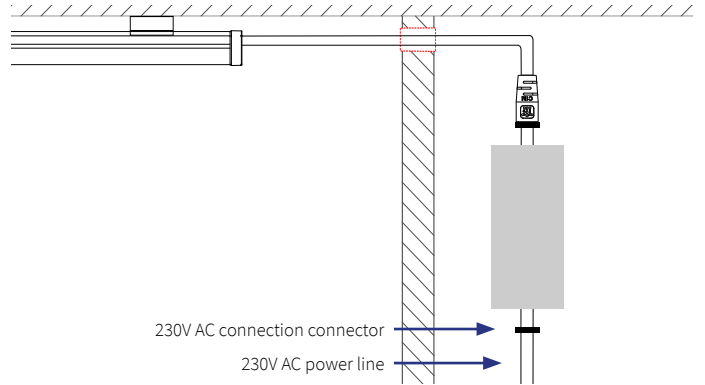
4.4 CONNECT THE CABLE TO THE POWER SUPPLY

The connection connector must meet the appropriate electrical requirements for the intended purpose.



4.5 CONNECT POWER SUPPLY TO ELECTRICAL NETWORK

The connection connector must meet the appropriate electrical requirements for the intended purpose.



Power Supply

Use a constant voltage power supply for LED modules, 24V DC output, insulation class 2, SELV, certified according to EN61347 standards for Europe and UL8750 for USA.

INSTALLATION GUIDE

TOP ENTRY CABLE WITH DC24 CONNECTOR 24V BAR

Exclusive document for product installation and assembly



1. SAFETY PRECAUTIONS



CAUTION

The equipment must be installed by a certificated technician.

The electrical installation must respect the technical rules.

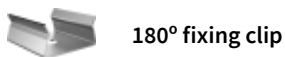
Install only indoors.

Switch off the electrical power before making any connection.

Respect the indicated voltage and installation procedure.

End-of-life: Don't discard as unsorted waste. Send to a WEEE (Waste, Disused Electrical and Electronic Equipment) collection point.

2. ACCESSORIES

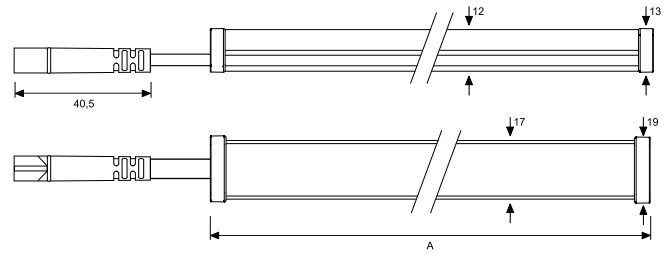


180° fixing clip



DC24 cable

3. DIMENSIONS (mm)



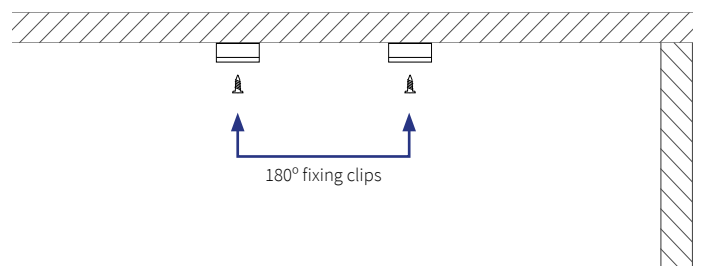
SIZE	A
10	79
17	154
25	229
30	304
40	379
47	454
55	529
60	604
70	679
80	754
85	829
90	904
100	979
105	1054
115	1129
120	1204
130	1279

SIZE	A
140	1354
145	1429
150	1504
160	1579
170	1654
175	1729
180	1804
190	1879
195	1954
200	2029
210	2104
220	2179
225	2254
230	2329
240	2404
247	2479

4. INSTALLATION PROCEDURE

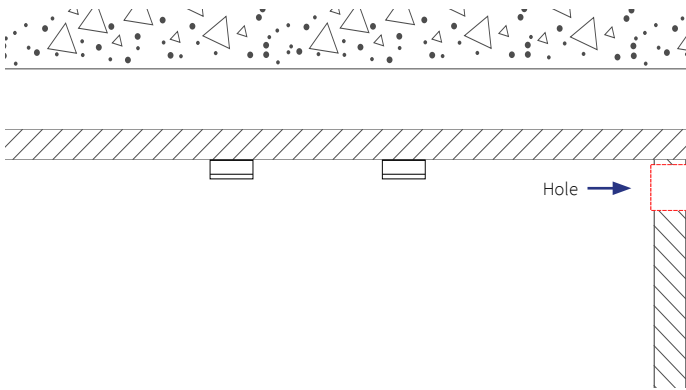
4.1 INSTALL FIXING CLIPS

Fix the 180° fixing clips to the ceiling or chosen surface.
Maximum distance between fixing clips: 60 cm.



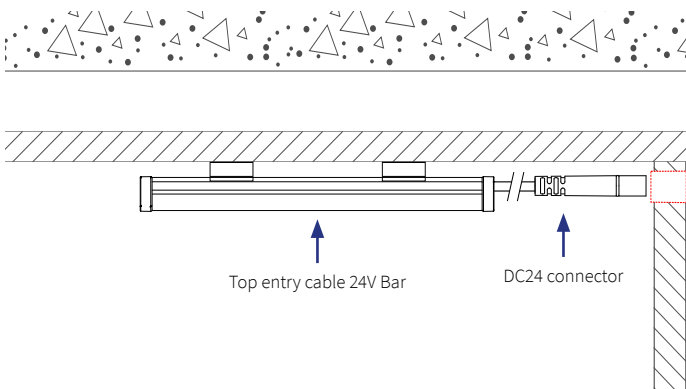
4.2 HOLE FOR POWER CABLE

Make a hole for the power cable to pass through.



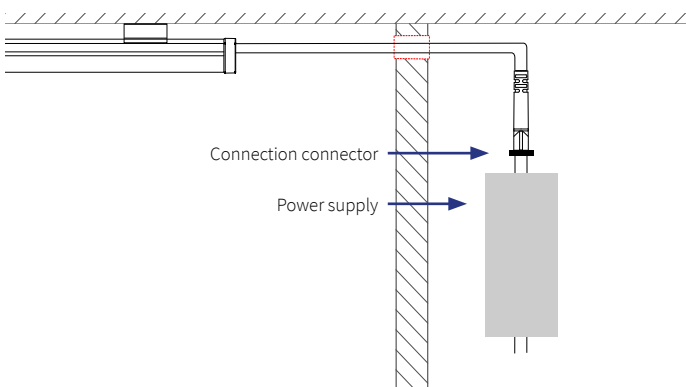
4.3 FIX THE BAR TO THE CLIPS

Attach the bar to the fixing clips.



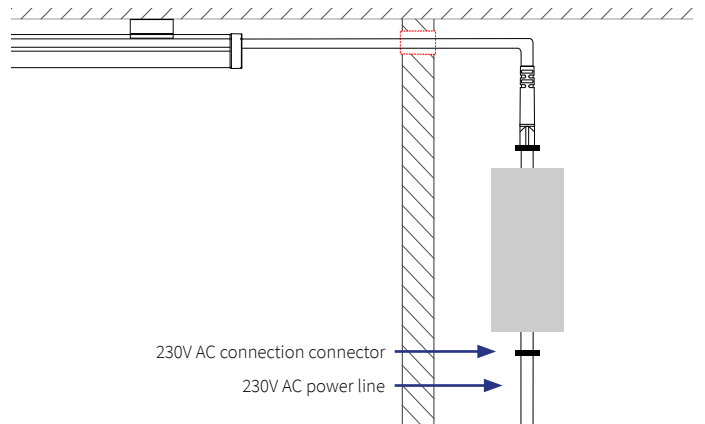
4.4 CONNECT THE CABLE TO THE POWER SUPPLY

The connection connector must meet the appropriate electrical requirements for the intended purpose.



4.5 CONNECT POWER SUPPLY TO ELECTRICAL NETWORK

The connection connector must meet the appropriate electrical requirements for the intended purpose.



Power Supply

Use a constant voltage power supply for LED modules, 24V DC output, insulation class 2, SELV, certified according to EN61347 standards for Europe and UL8750 for USA.

5. GENERAL INFORMATION



CE marking

Product in accordance with the Council directive 2004/108/CE concerning the Electromagnetic Compatibility and the Council directive 2006/95/CE for low-tension equipment.



UE 2011/65/EU

Product complies with the directive that restricts the use of hazardous substances in electrical and electronic equipment.



Test procedure for LED that aims to determine the depreciation of the luminous flux over time.



The product must not be disposed of as unsorted waste, it must be sent to separate collection facilities for recovery and recycling.



Equipment suitable for indoor use.



Equipment suitable for outdoor use.



24V Direct current



Alternating current



Safety Extra-Low Voltage. The circuit is designed and protected that, during proper operation or in the event of a single fault, voltages do not exceed values considered safe.

Appliance classes

Protection against electric shock due to physical contact with the electrical part of the equipment.



Class I

The equipment must be connected to earth through a protective conductor (PE), usually coloured green or green and yellow.



Class II

The equipment has double insulation, eliminating the necessity of the protective conductor (PE).



Class III

The equipment uses a reduced voltage level and there is no risk of electric shock under normal conditions.

IP Code

Assesses the degree of protection against intrusion, dust, accidental contact and water according to IEC 60529.



The IP code consists of 2 digits, the first relating to solid particles and the second to the presence of water.

IP0X Not protected

IP1X Solids \geq 50 mm diameter

IP2X Solids \geq 12,5 mm diameter

IP3X Solids \geq 2,5 mm diameter

IP4X Solids \geq 1 mm diameter

IP5X Dust

IP6X Dust proof

IPX0 Not protected

IPX1 Dripping water

IPX2 Dripping water when tilted up to 15°

IPX3 Water spray

IPX4 Water splash

IPX5 Water jets

IPX6 Powerful water jets

IPX7 Immersion up to 1m for 30min

IPX8 Continuous immersion in water